

# 100G, 200G 1X2 DWDM Device (3 Ports)

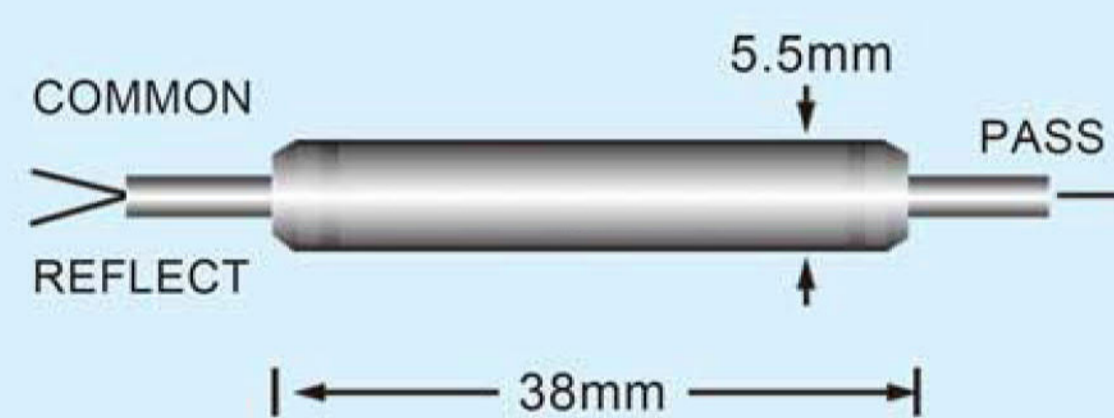
## Features

- Low insertion loss
- Wide pass band
- High channel isolation
- High stability and reliability
- Epoxy free on optical path

## Applications

- Channel add/drop
- DWDM network
- Wavelength routing
- Fiber optical amplifier
- CATV fiberoptic system

## Package Dimension



## Performance Specifications

Parameter		Specification	
Center Wavelength (nm)		ITU Grid	
Channel Spacing (GHz)		100	200
Channel Passband (@-0.5dB bandwidth) (nm)		≥0.22	≥0.5
Pass Channel Insertion Loss (dB)		≤1.0	≤0.9
Reflection Channel Insertion Loss (dB)		≤0.4	≤0.4
Isolation (dB)	Pass Channel	≥30	
	Reflect Channel	≥13	
Insertion Loss Temperature Sensitivity (dB)		≤0.3	
Wavelength Temperature Shifting (nm/°C)		≤0.001	
Polarization Dependent Loss (dB)		≤0.1	
Polarization Mode Dispersion (ps)		≤0.1	
Directivity (dB)		≥45	
Return Loss (dB)		≥45	
Maximum Power Handling (mW)		300	
Operating Temperature (°C)		-10~+70	
Storage Temperature (°C)		-40~+85	
Package Dimension (mm)	For 250μm, 900μm	Ø5.5 x L38	
	For 2.0mm, 3.0mm	L90 x W20 x H10	

Above specifications are for devices without connector.  
Specifications may change without notice.

## Ordering Information

DWDM	<input type="checkbox"/>	<input type="checkbox"/>	<input type="checkbox"/>	<input type="checkbox"/>	<input type="checkbox"/>	<input type="checkbox"/>
	ITU	Pass Channel	Package	Fiber Diameter	Fiber Length	Connector
	1=100G 2=200G	01=Ch01 02=Ch02 ..... 60=Ch60	1=Steel Tube 2=ABS Box Module 3=Specify	0=250μm 1=900μm 2=2.0mm 3=3.0mm	1=1m 2=2m S=Specify	0=None 1=FC/APC 2=FC/UPC 3=SC/APC 4=SC/UPC 5=LC/APC 6=LC/UPC 7=ST S=Specify